

Figures 1 and 2 show examples of using L<sup>A</sup>T<sub>E</sub>X's TikZ<sup>1</sup> library to draw circuit diagrams as in Appendix B of the textbook.

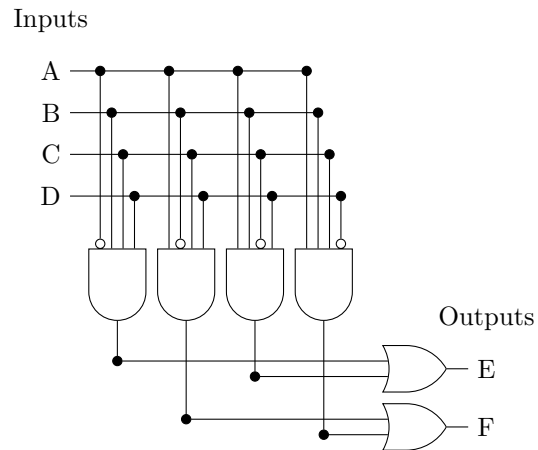


Figure 1: Example of using the circuits library to draw something for CSCI 2321, meant to be just complicated enough to be interesting.

---

<sup>1</sup>You can find a dauntingly long but pretty thorough manual in `/usr/local/texlive/*/texmf-dist/doc/generic/pgf/pgfmanual.pdf`. The name, by the way, is in the grand tradition of recursive names and means “TikZ ist *kein* Zeichenprogramm”, or roughly in English, “TikZ is *not* a drawing program”.

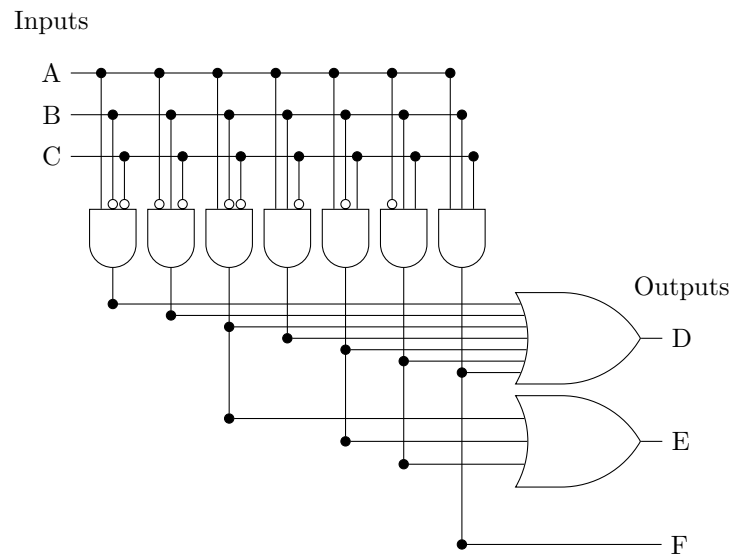


Figure 2: Example of using the circuits library to draw something for CSCI 2321, namely a version of Figure B.3.4 from the textbook.